

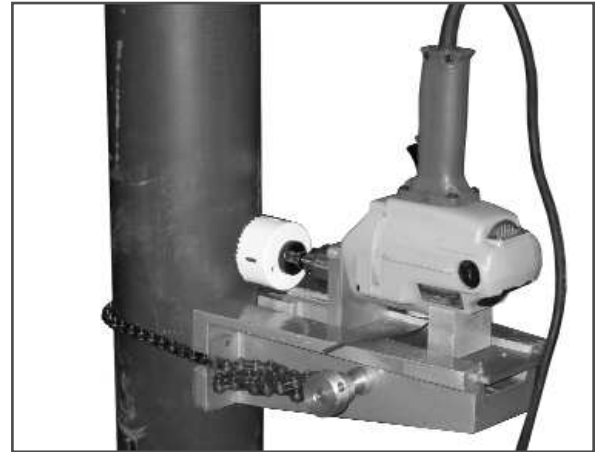
# data sheet

## ARGCO



### Hole Drilling Tool (part #30-99-093)

- Secure grounding of the electric drill to the pipe eliminates shock danger
- Insulated handle for advancing drill affords additional protection against shock
- Drill won't bind and twist to injure fingers or wrist
- Mounts easily and quickly to various pipe sizes
- Small pipe adapter allows unit to be mounted on pipe as small as 1-1/4"
- Angle indicator ready for easy mounting
- Cuts up to 4-1/2" hole

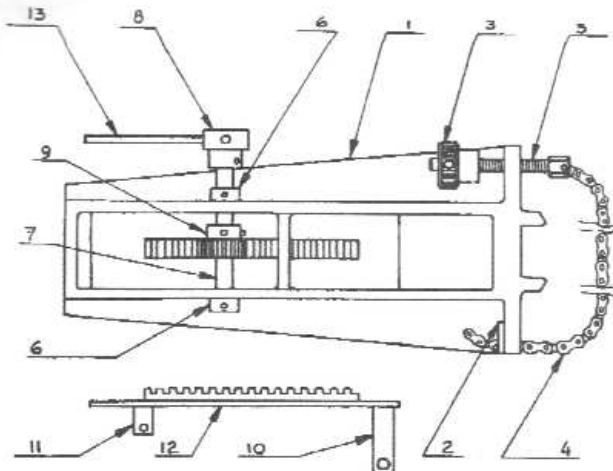


Available with Milwaukee 1660-1 Drill.

PT's hole cutting tool eliminates the hazards associated with field drilling of holes up to 4-1/2" pipe, even in awkward positions on a ladder or scaffold. Chain vise clamps securely to any size of steel pipe being drilled, supporting the tool's weight for ease of operation, and providing the best possible electrical grounding.

Clamping the tool to the pipe also guarantees perfectly square, centered holes and extends the life of holesaws.

Unique lever assisted rack and pinion drive mechanism allows operator to bring tremendous pressure to bear on the workpiece with just one hand, leaving the other hand free.



#### PARTS LIST:

	ITEM#
1. DRILL FIXTURE	30-99-079
2. CHAIN SECURING BRACKET & SCREWS	30-99-080
3. CHAIN TIGHTENING HUB	30-99-086
4. WRENCH CHAIN	30-99-087
5. THREAD ROD BOSS & PIN	30-99-089
6. LOCK COLLARS	30-99-081
7. PINION SHAFT (SOLD WITH #8)	30-99-082
8. TRAVERSE HUB & PIN	30-99-082
9. PINION GEAR	30-99-083
10. FRONT SHOE & SCREWS	30-99-094B
11. REAR SHOES & SCREWS	30-99-094C
12. RACK, DRILL MOUNTING PLATE	30-99-094D
13. INSULATED HANDLE*	30-99-085

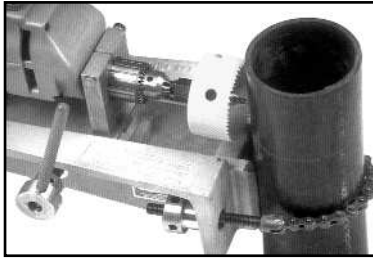
\* ONE PROVIDED - CAN BE MOUNTED ON RIGHT OR LEFT SIDE

The information contained herein is produced in good faith and is believed to be reliable but is for guidance only. ARGCO and its agents cannot assume liability or responsibility for results obtained in the use of its product by persons whose methods are outside or beyond our control. It is the user's responsibility to determine the suitability of any of the products, methods of use, or preparation prior to use, mentioned in our literature. It is the user's responsibility to observe and adapt such precautions as may be advisable for the protection of personnel and property in the handling and use of any of our products.

**FOR MORE INFORMATION CALL ARGCO AT 1-800-854-1015  
OR LOG ONTO WWW.ARGCO.COM**



# Hole Drilling Tool



## HOW IT WORKS:

- Attach the hole drilling tool to pipe with wrench chain.
- With alignment bars properly aligned to pipe, tighten wrench chain (4) with adjustment nut, first by hand, then securely tighten, using drill traverse rod.
- With **Hole Cutting Tool** properly mounted, insert drill travel plate (with electric drill and cutting tool affixed) into guide slots until rack-and-pinion gear (9) has been engaged.
- Activate drill electrically
- Using drill traverse rod, move drill and cutting tool forward until cutting tool touches work piece.
- Back off drill and cutting tool to observe cutting pattern
- If cutting pattern is correct (cutting equally on both sides of center), advance drill and cutting tool until tool has past through work piece.
- If cutting pattern is incorrect, realign the **Hole Cutting Tool** to the pipe or the electric drill to travel plate.
- Back off drill and cutting tool, turn drill off and remove the **Hole Cutting Tool** from the pipe.

## MOUNTING ELECTRIC DRILL TO TRAVEL PLATE

1. Remove spade handle from drill.
2. Using screws provided (12-24-2-1/4") tighten drill to travel plate  
**TIGHTEN THESE SCREWS REGULARLY**
3. Loosen bolts of Front Shoe (#10) - pry open shoe with screw driver to mount properly.
4. Insert drill into front shoe (#10) (front drill holder bracket)
5. Rear shoe (#11) mounts to drill handle.
6. Partially loosen screws on plate (#12) - Do not take out completely.
7. Tighten screws to rear shoe (#11).
8. Insert spacer block (read drill holder bracket) between travel plate and drill where spade handle was removed.
9. Tighten lock nut on front shoe (#10).